

**Works for Jandorf Glass Shade Holders:**

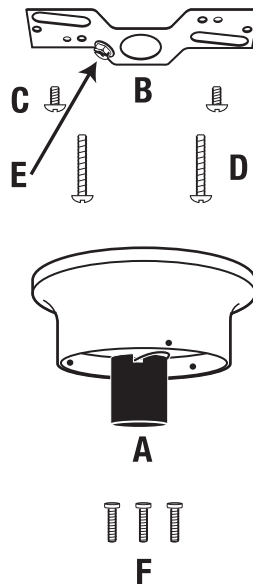
- #60221 - 3 1/4" Glass Shade Holder
- #60222 - 4" Glass Shade Holder

**What's Inside**

- 1 - Glass Shade Holder with 18AWG pre-wired 6" insulated leads, ground wire and insulation - Brass Finish (A)
- Rated: 250V for use with 60W lamp maximum
- 1 - 4" Offset Crossbar (B)
- 2 - 8-32 x 1/2" Mounting Screws (C)
- 2 - 8-32 x 2" Mounting Screws (D)
- 1 - Grounding Screw (E)
- 3 - Knurled Screws - Brass Finish (F)

**What's Needed**

- Glass Shade
- Screwdriver
- 2 Wire Nuts With Metal Threads

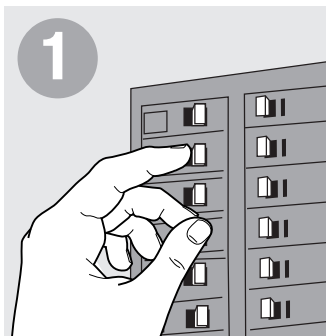


**What's Its Purpose**

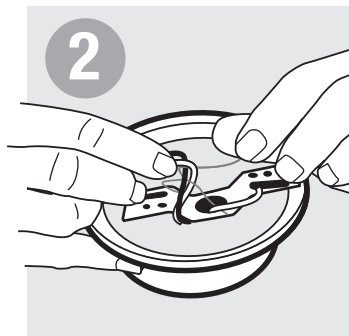
Provides overhead lighting and supports glass shade.

**Warning**

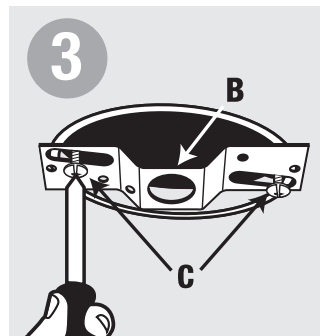
- Before beginning **TURN OFF POWER** to the light from the fuse or circuit breaker.
- Follow local electrical regulations or codes when installing and using this product.
- When installing fixture directly to outlet box, the outlet box must be capable of supporting 50 lbs. and be supported by the building structure.
- Support fixture with crossbar. Do not attempt to support fixture just by wires.
- Installation of wires must be performed by a qualified person.
- Not for outdoor use.
- **CAUTION: RISK OF ELECTRIC SHOCK. RISK OF FIRE.**



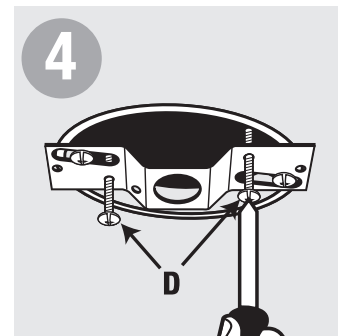
1 Before beginning **TURN OFF POWER** to light from the fuse or circuit breaker.



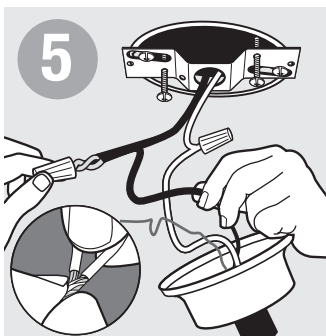
2 Un-wrap wires from crossbar.



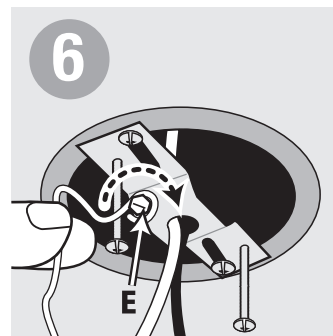
3 With raised side of crossbar (B) pointed downward, mount to outlet box by inserting 1/2" mounting screws (C) through slots of crossbar. Tighten.



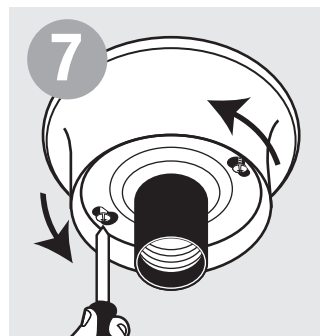
4 Thread 2" mounting screws (D) only 1/8" into crossbar holes.



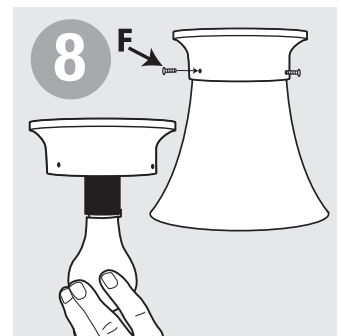
5 Take 1/2" exposed black lead from glass shade holder and 1/2" exposed black wire from outlet box and twist together to form pigtail. Secure with wire nut with metal threads. Connect white wire from glass shade holder to white wire from outlet box in same manner. Pull on wire nuts to make sure wire is secure.



6 Wrap bare ground wire clockwise around grounding screw (E). Tighten screw.



7 Mount fixture to ceiling by passing heads of 2" screws through key shaped slots. Turn fixture to lock into place. Tighten screws.



8 Insert light bulb (60 Watt max). Cover with glass shade and tighten in place with knurled screws (F).